



Pressalit Kangaroo Changing Table Specifications

Adjustable height, freestanding changing table.

Raise to an ergonomic working height. Ideal for daycare.

Features:

Unplug and move as needed.

Handy storage baskets.

Completely accessible for cleaning and disinfecting.

Includes factory-installed safety rail.

Dimensions:

Available table lengths:

- Small: 35.5" SKU/Model: R8941000/R8690
- Child: 55" SKU/Model: R8942000/R8694

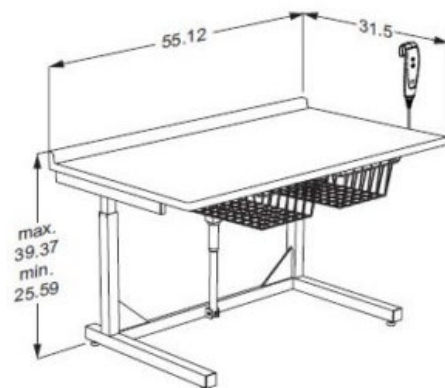
Width: 31.5"

Adjusts from 25.5" to 39"

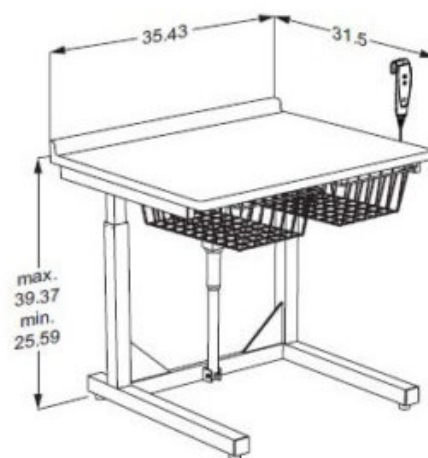
Construction:

Materials: ABS plastics, synthetic acrylic and powder-lacquered steel.

Lifting unit and baskets: Powder-lacquered steel.



Pressalit Kangaroo Child Size Dimensions



Pressalit Kangaroo Small Dimensions

[Installation Drawing](#)

Worktop: ABS with acrylic.

Product weight: 92 lbs

Installation:

Retrofit friendly.

Anchors to wood blocking, masonry or concrete.

Masonry anchor kit sold separately.

Electrical:

Integrated transformer and US 8' power cord included.

Linak liquid tight actuator and control system.

Maintenance free motor.

Liquid tight Linak control system.

24v/1amp via 120 GFI wall outlet

110 Volt and 3,9 Amp gives 390 Watts

Effect(P) = Volt (U) x Ampere (I)

390 VA (Watt) = 110 V X 3,9 A

390 Watt which is the maximum effect; power consumption is approximately 0 when not in use.

Noise level: 48 decibels

UL approved electrics

Safety Side

Folds up or down.

Rail:

Fits small, child sized tables.

Easy operation.

Locks securely in both positions.

May be added to existing installations.

(Contact our Sales Office to purchase separately.)

Optional

Thick, soft foam for user comfort.

Mattress:

Fits small, child sized tables.

Width: 30" Color: White

Quality polyurethane, phtalate-free.

Can be disinfected with antiseptic wipes.

(Contact our Sales Office to purchase separately.)

SKU: Small: R8701000; Child: R8702000

[User Manual](#)

Downloadable CAD Drawing:

[CAD Drawing for Pressalit Kangaroo Changing Table — Small Size](#)

[CAD Drawing for Pressalit Kangaroo Changing Table — Child Size](#)

Submittal Info
Spec Sheet
(pdf)

Weight 165 lbs

Capacity:

Product 77 lbs (Small: 35.5" SKU/Model: R8941000/R8690)

Weight:

93 lbs (Child: 55" SKU/Model: R8942000/R8694)

Availability: Sold throughout the United States.

Delivery: Contact our Sales Office for up-to-date information.

Discount: Product price and shipping discount when purchasing multiple units. Call for details.
800.577.1555

Warranty: Five years limited warranty on parts; one year on labor.

[See our complete warranty and other policies here.](#)

Subject to change. Last updated May 2023.

Access Your World

MAX-Ability offers complete restroom solutions that provide comfort, safety, and dignity to wheelchair users and caregivers, including ergonomic adjustable changing tables, sinks, toilets, and shower seats for total accommodation for everyone. Call us today and access your world!

1.800.577.1555



Customer Service

[Purchasing & Payment Methods](#)

[Delivery / Returns / Warranty](#)

[Privacy Policy](#)

[Terms and Conditions](#)

Resources

[Product Manuals](#)

[Installation Drawings](#)

[Internet Resources](#)

[Architects Resources \(inc. Specs/CAD\)](#)

Connect with us



All rights reserved. Copyright 2023 © **MAX-Ability, Inc.**

MAX-Ability provides special needs equipment to consumers and businesses in the USA and Canada